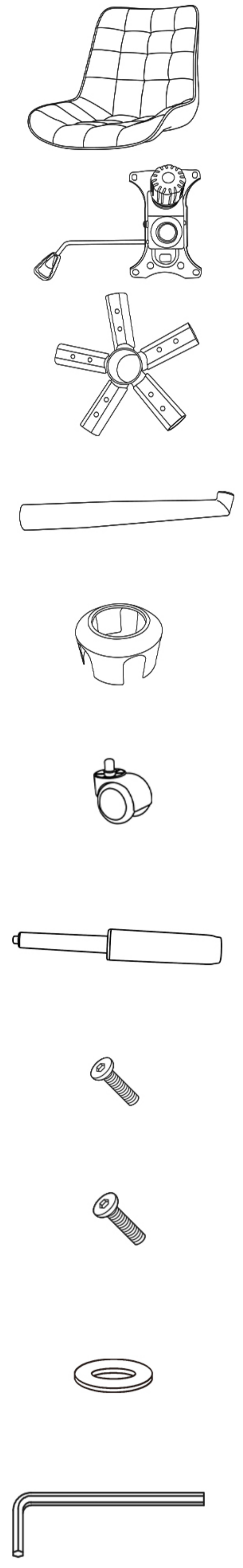
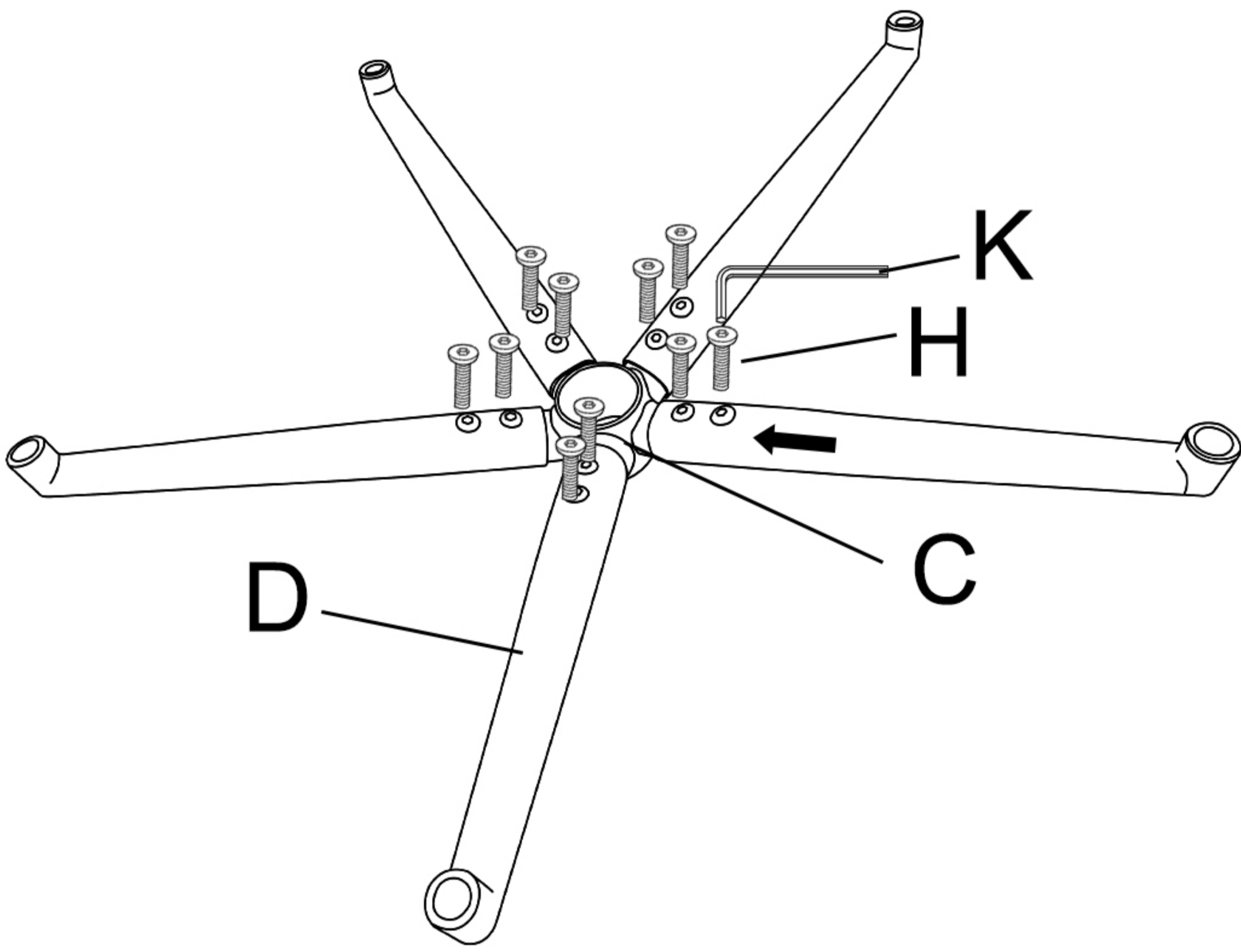
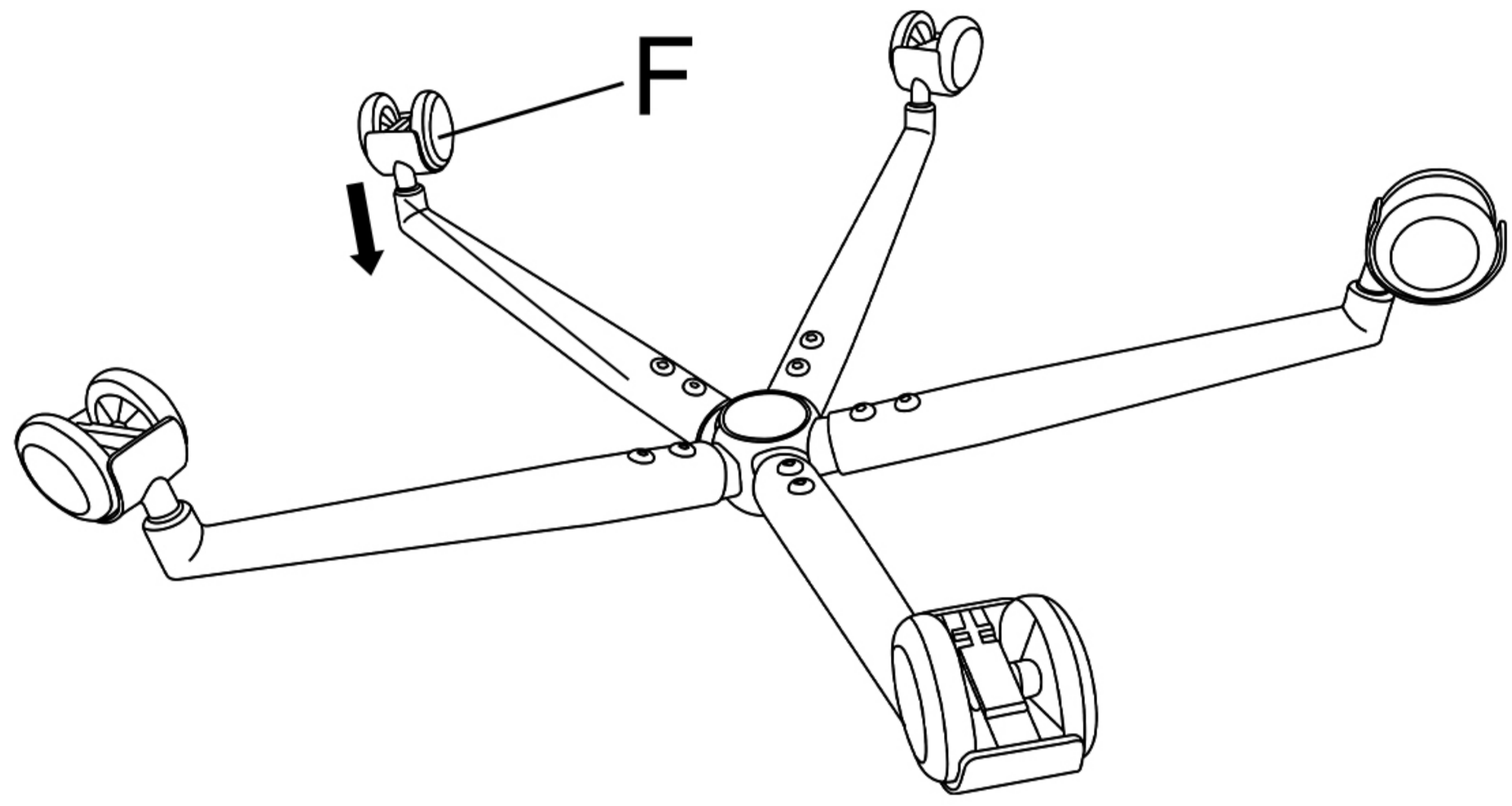
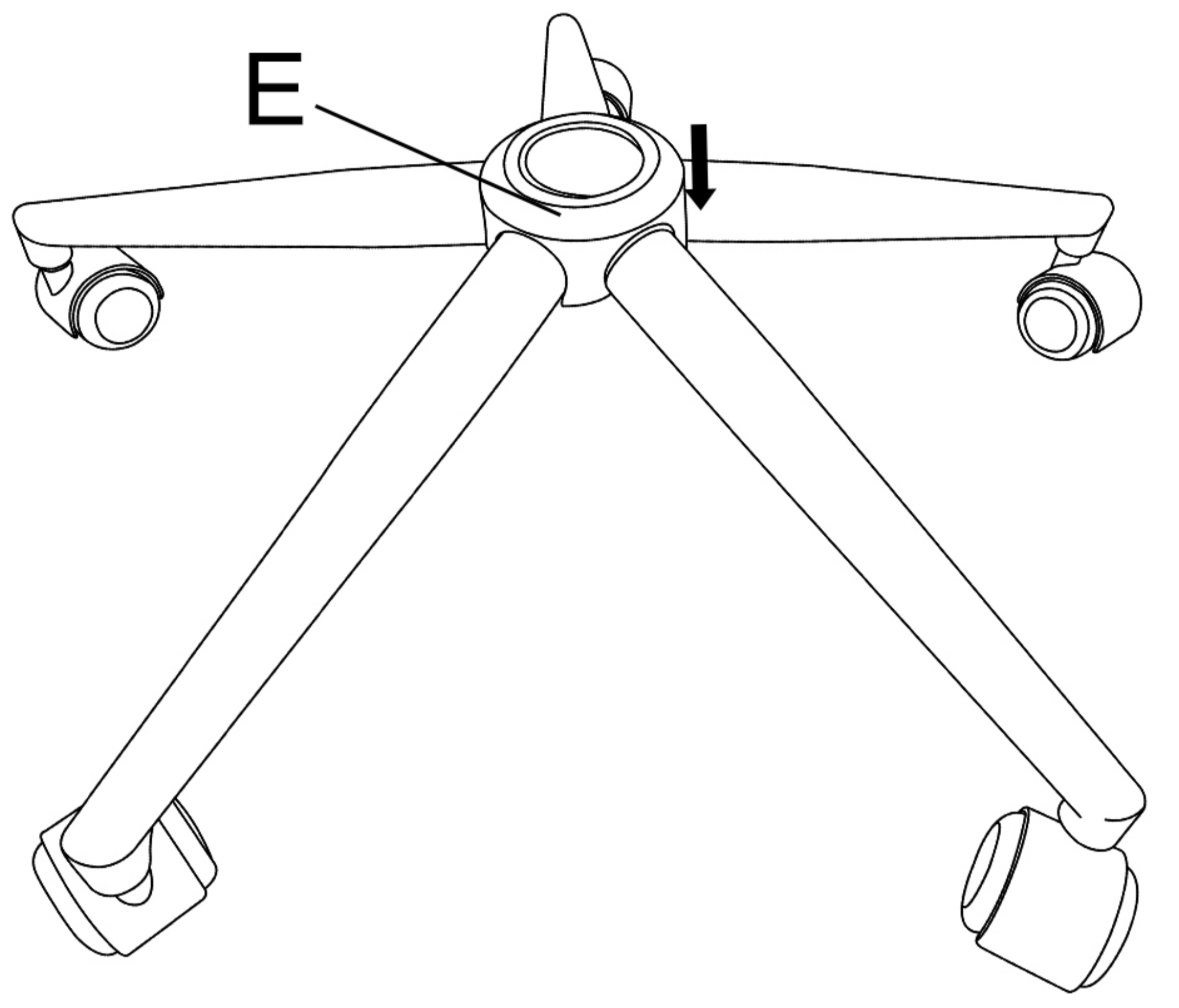
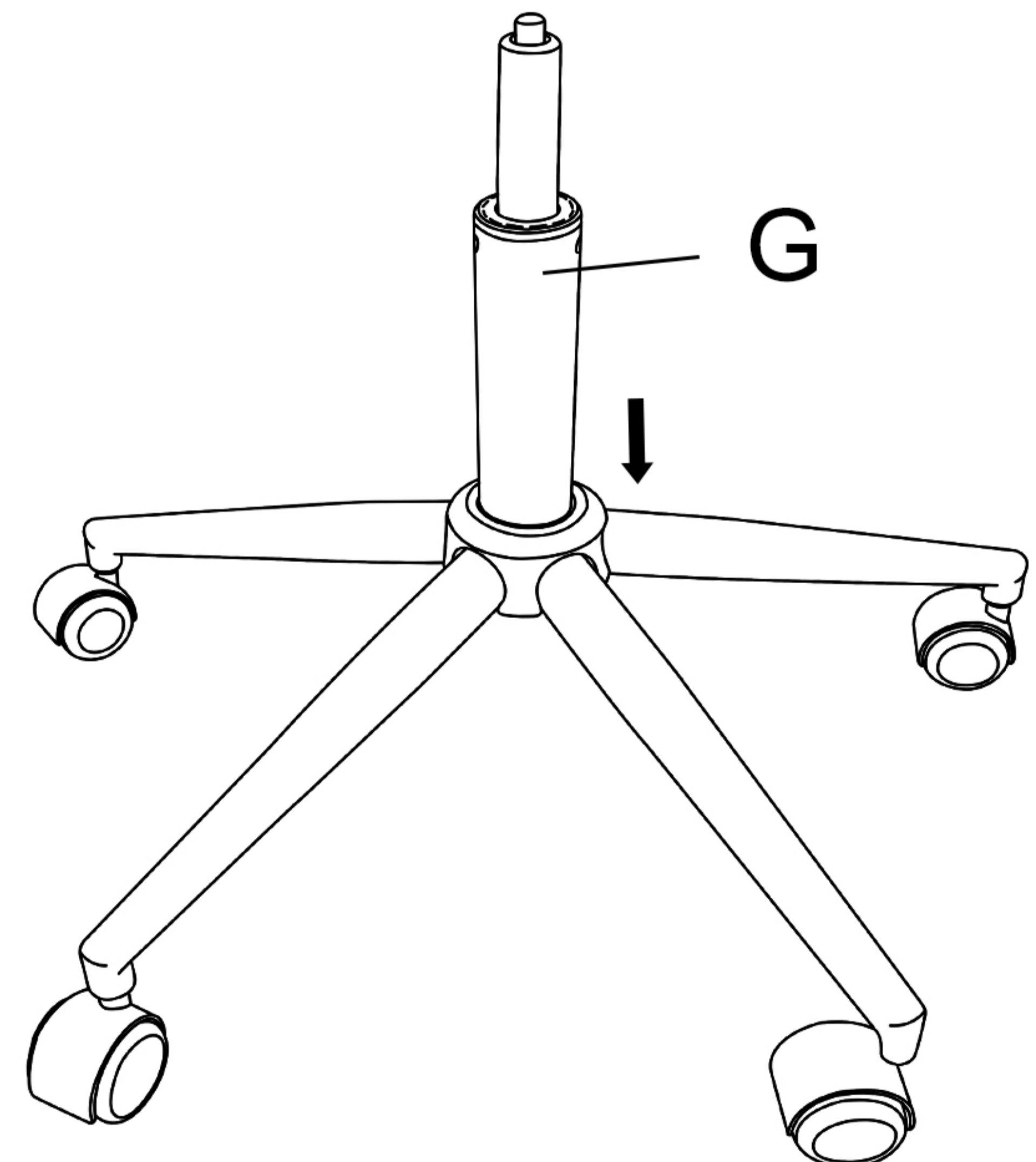
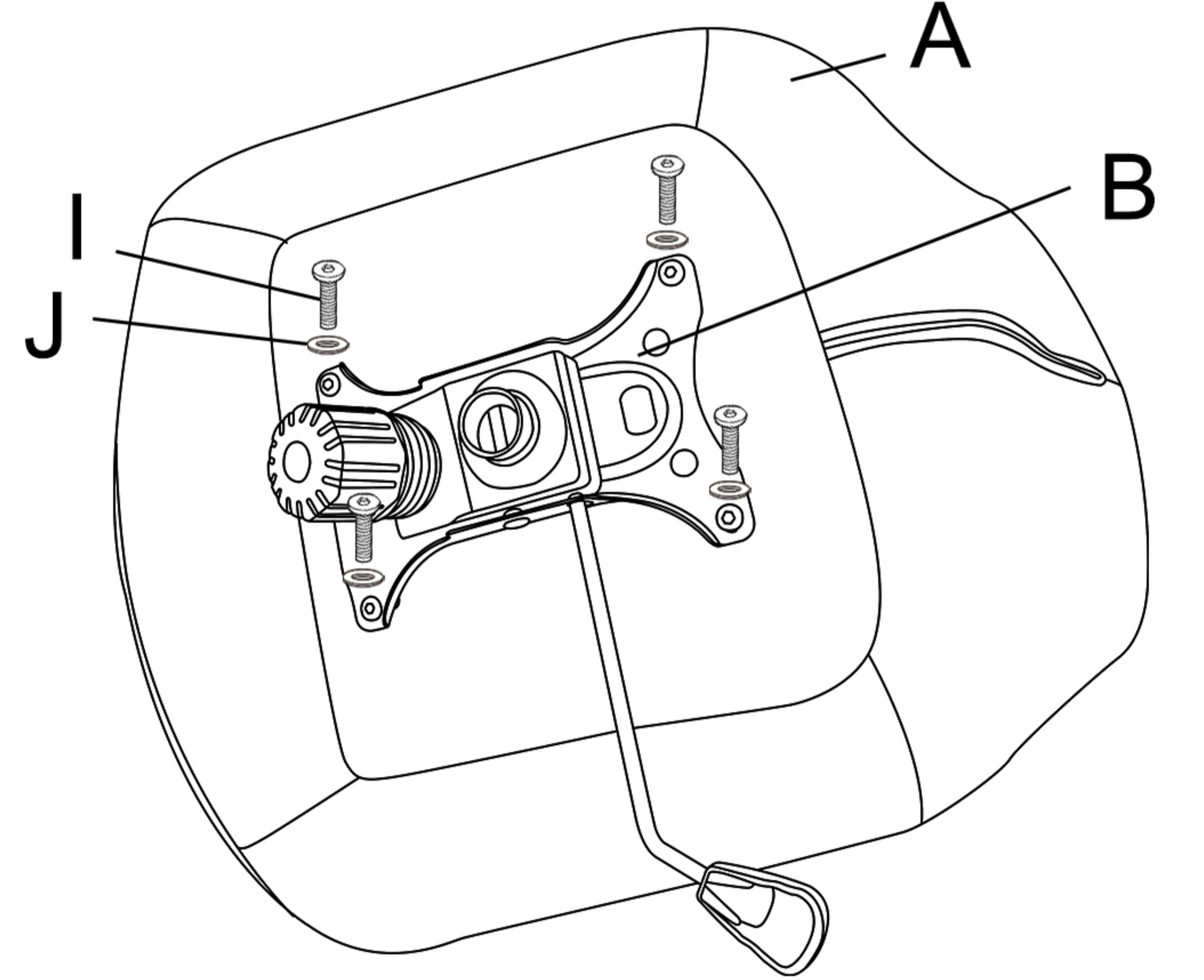



ASSEMBLY INSTRUCTIONS

| | | | |
|--|---|--|--|
| <p>A. Seat x 1</p> <p>B. Salver x 1</p> <p>C. Metal frame x 1</p> <p>D. Legs x 5</p> <p>E. Plastic cover x 1</p> <p>F. Wheels x 5</p> <p>G. Gaslift x 1</p> <p>H. Screws x 10 (M6 x 16)</p> <p>I. Screws x 4 (M6 x 20)</p> <p>J. Flat washers x 4</p> <p>K. Hex key x 1</p>  |  <p>1</p> |  <p>2</p> |  <p>3</p> |
| |  <p>4</p> |  <p>5</p> |  <p>6</p> |
| <p>Remark: First fix screws lightly by hand and at the end of the assembly fasten the screws firmly with tools.</p> | | | |